

Product: **KLUDI ZENTA XL single lever basin mixer DN 10**

Ref.: **38260..75**

Product description

single lever basin mixer DN 10
 solid lever
 single hole mounted
 PCA aerator M 24 x 1
 flow rate 6 l/min. at 3 bar
 ceramic cartridge with hot water safety device
 pop up waste 1 1/4 inch
 rapid installation set
 flexible high pressure supply tubes G 3/8
 noise level I
 P-IX 18634/IA
 SVGW approval no. 0902 - 5518

Finishes:
 05 chrome
 86 chrome/black
 91 chrome/white

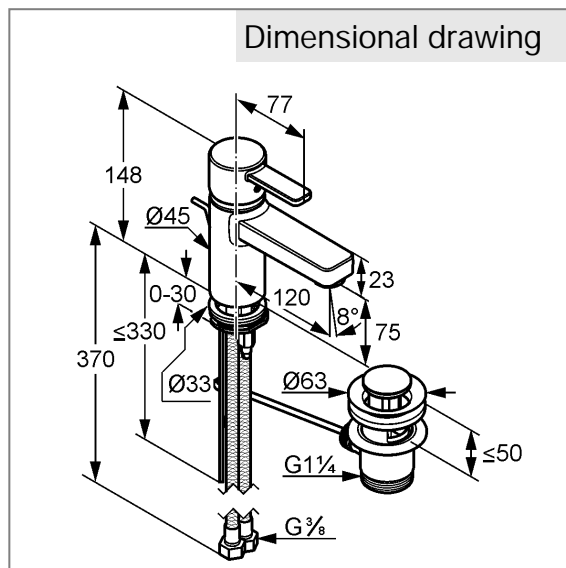
Advertisement

single lever basin mixer, manufacturer KLUDI GmbH & Co KG KLUDI ZENTA single lever basin mixer item no. 38260..75, DN 10, finishes: 05 chrome; 86 chrome/black; 91 chrome/white plated brass, ceramic cartridge with hot water safety device Ø 35 mm, solid lever, noise level DIN EN 4109 group I, report no. P- IX 18634/IA, type: single lever basin mixer DN 10, flow rate 6 l/min. at 3 bar, PCA aerator M 24 X 1, pop up waste 1 1/4 inch, flexible high pressure supply tubes 3/8 inch with DVGW / KIWA / WRAS / CSTB with metal body length 370 mm, nozzle projection 120 mm, nozzle height 75 mm, lever projection 77 mm, rapid installation set, overall length 148 mm, for pressure type water heater, for continuous line heater, PN 10, SVGW approval no. 0902 - 5518

Product picture



Dimensional drawing



Flow rate diagram

